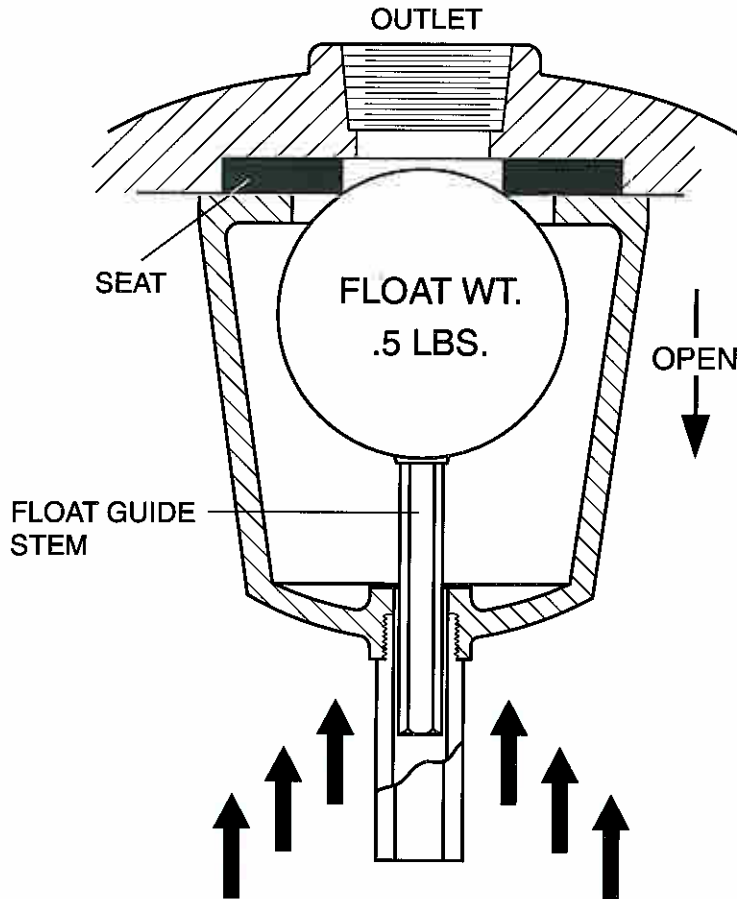


## WHY AN AIR/VACUUM VALVE STAYS CLOSED UNDER PRESSURE



FORCE HOLDING FLOAT AGAINST SEAT  
OUTLET AREA X SYSTEM PRESSURE  
 $3.14 \times 100 = 314 \text{ LBS. OF FORCE}$

314 LBS. > .5 LBS.

**CONCLUSION: VALVE WILL NOT OPEN UNDER SYSTEM PRESSURE**

WHY AN AIR/VACUUM VALVE STAYS CLOSED UNDER PRESSURE

DATE 7-23-98

**VAL-MATIC®** VALVE AND MANUFACTURING CORP.

DRWG. NO.

SS-1515