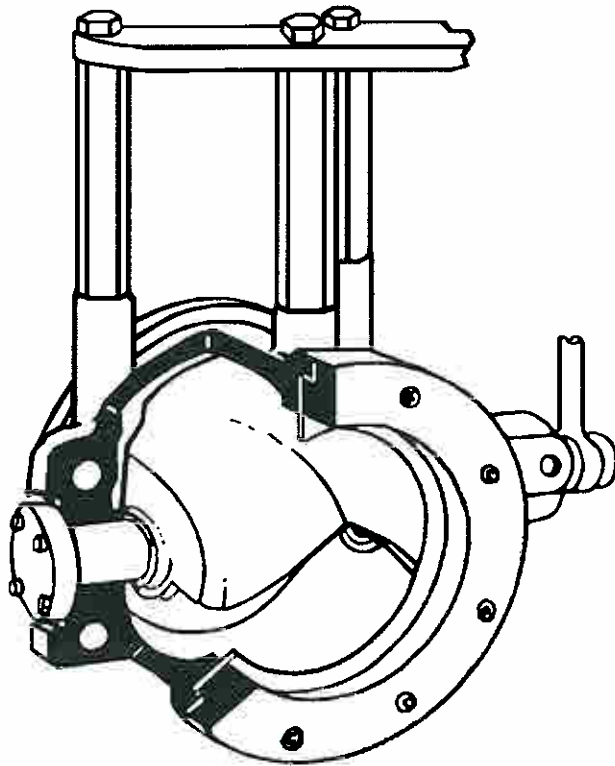


Series 9000 Control Pinch Valves – The Sensible Solution

Standard V-Ball Valve

Problem:

- ▶ Metal surface is subject to quick and unpredictable erosion.
- ▶ Poor throttling performance.
- ▶ Clogging due to trapped debris.



Series 9000 High Pressure Control Valve

Solution:

- ▶ Resilient elastomer pinch sleeve erodes much more slowly than standard metal surfaces.
- ▶ “Smart” technology alarm system sends a signal when replacement is needed.
- ▶ Full-port opening won't clog.

